

Display box, 4-channel DDBF 4-SC

Features

- 4-channel display box for strain rings DSRC
- Contemporaneous measurement and display of 4 channels
- A/C or Battery operation
- Display in $\mu\epsilon$, kN, t
- 2 analog outputs
- Reset with keypad or *InspectMaster*



Electrical Data

Connection	4 channels for 2 x 1/4 S/G bridge (350 Ω)
Display	Average / peak value or sum / peak value of the activated channels
Measuring range	$\pm 1000 \mu\epsilon$ (calibrated)
Resolution	1 $\mu\epsilon$
Characteristic curve deviation	< 0,25% FS
Reset/operate offset	< $\pm 0,1\%$ FS
Bridge completion resistors Rc	350 Ω
Reset	Zeroing is performed by pressing the reset button or by the software <i>InspectMaster</i>
Measuring rate	<i>InspectMaster</i> / analog output 250/sec
Analog output	± 1 V calibrated at $\pm 1000 \mu\epsilon$
Display refresh rate	2/sec
Battery	Maintenance-free Li-Ion battery
USB connection	USB 2.0, type B

Mechanical Data

Sensor connection	4 pin Binder (series 712)
Enclosure	Aluminum, lacquered

Environmental Conditions

Operating temp. range	+5...+50 $^{\circ}\text{C}$
Storage temperature	-20...+60 $^{\circ}\text{C}$
Protection class	IP 40

Order Code

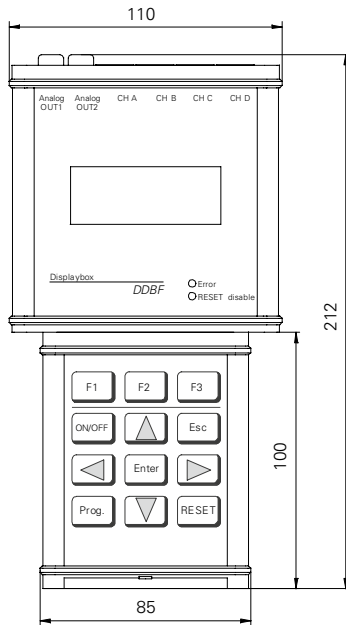
DDBF 4-SC

Delivery Contents

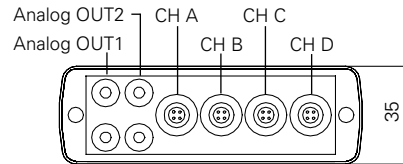
- Display box
- Power adapter (100 - 240 VAC)
- Software *InspectMaster*
- USB connecting cable
- Ground connection cable with clip



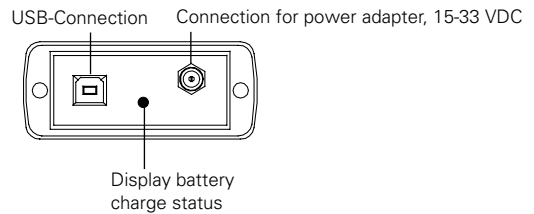
Dimensions (mm)



View Connector Side

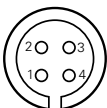


View Bottom Side, under the top cover



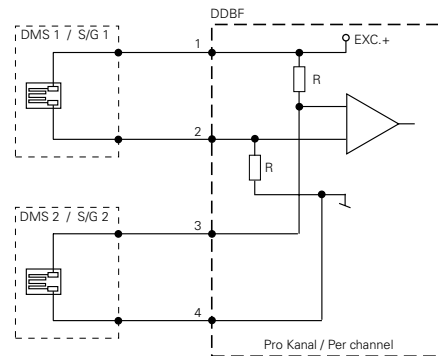
Electrical Connections

Sensor connection

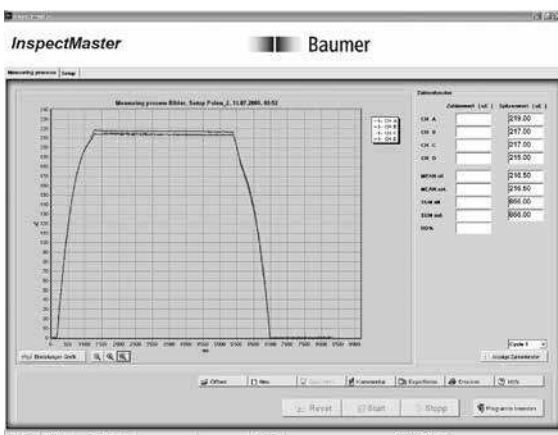


Pin	Signal
1	S/G 1 EXC,+
2	S/G 1 SIG.-
3	S/G 2 SIG.+
4	S/G 2 EXC.-

Bridge configuration per connector



Analysis Software *InspectMaster*



Functions:

- Display in $\mu\epsilon$, N, kN, t
- Display of deviation of tie bar load distribution in %
- Cycle function with auto reset mode
- Display of graphs
- Saving of measured data
- Export function (Text file may be exported and processed in Excel)

Requirements:

- PC with Windows, 2000, NT, XP
- minimum 500 MHz and USB interface required